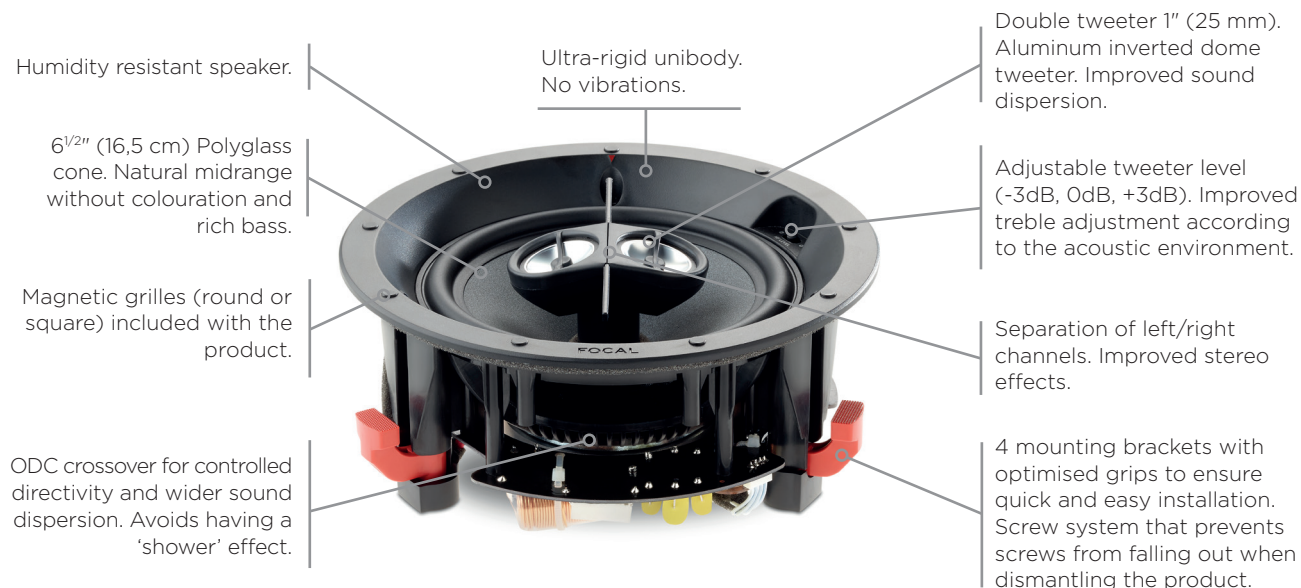


# 100 IC 6ST

## Product Data Sheet



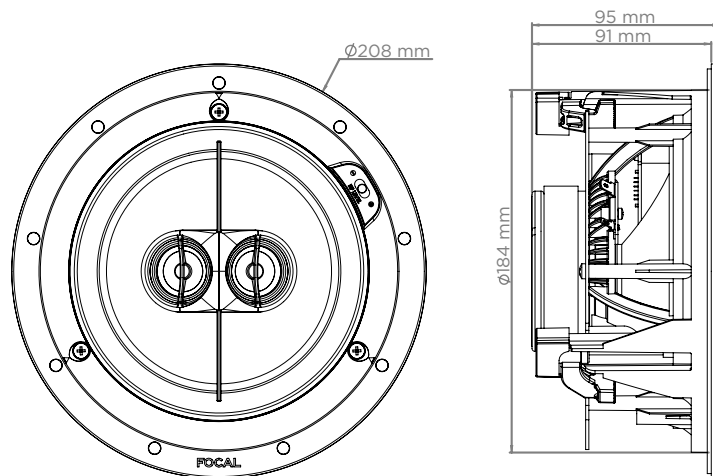
### Key Points

- Product designed and developed in France by Focal
- Compact product with shallow mounting depth
- For in-ceiling or in-wall loudspeakers (1 product, 2 uses)
- Possible to connect two loudspeakers to the same amplifier output
- Ready-to-paint grille

### Technical Specifications

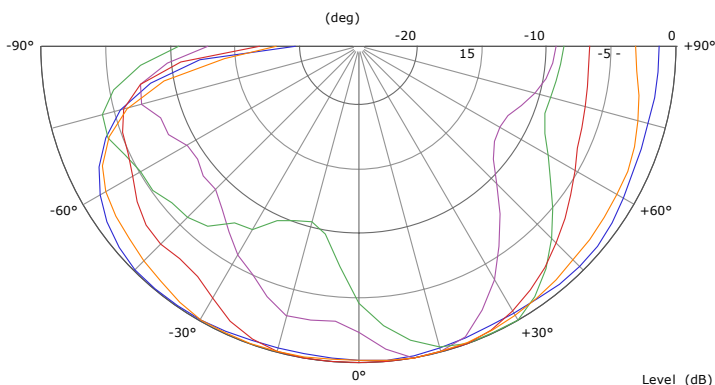
| Type                           | In-ceiling - Stereo 2-way coaxial   |
|--------------------------------|---|
| Drivers                        | 6 <sup>1</sup> / <sub>2</sub> " (16,5cm) Dual voice coil Polyglass Midbass. 2 x 1" (25mm) Al inverted dome Tweeters |
| Sensitivity (2.83V/1m)         | 89dB  |
| Frequency response (+/-3dB)    | 60Hz-23kHz  |
| Low frequency point (-6dB)     | 48Hz  |
| Nominal impedance              | 2x8Ω  |
| Minimal impedance              | 2x6,7Ω  |
| Recommended amplifier power    | 25-100W   |
| External dimensions (Ø/Depth)  | 8 <sup>3</sup> / <sub>16</sub> "x3 <sup>4</sup> / <sub>16</sub> " (208x95mm)  |
| Cut-Out diameter               | 7 <sup>1</sup> / <sub>4</sub> " (184mm)   |
| Depth from wall                | 3 <sup>3</sup> / <sub>16</sub> " (91mm)   |
| Net weight (with front grille) | 3.86lbs (1.75kg)  |
| Packing dimensions (WxDxH)     | 10 <sup>5</sup> / <sub>8</sub> "x10 <sup>5</sup> / <sub>8</sub> "x6 <sup>1</sup> / <sub>16</sub> " (270x270x170mm)  |
| Total weight (with packaging)  | 5.29lbs (2.40kg)  |

## Dimensions

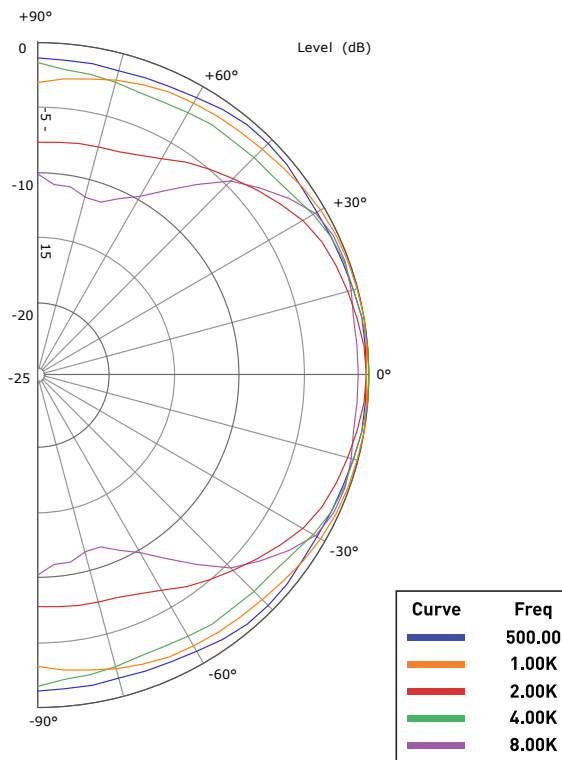


## Measurements Directivity

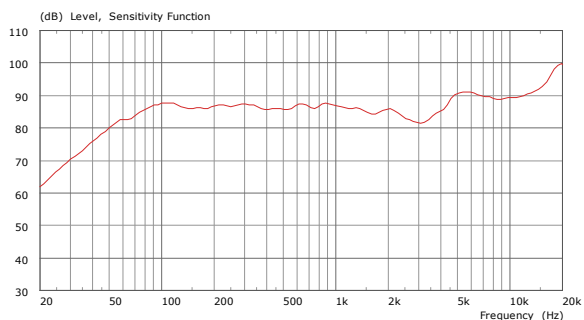
Horizontal (right)



Vertical



## Frequency Response



## 100 IC 6ST Speaker level Calculation Table

| Power/Distance | 1 m    | 2 m   | 5 m   |
|----------------|--------|-------|-------|
| 1 W (2,83 V)   | 89 dB  | 83 dB | 75 dB |
| 5 W (8,94 V)   | 99 dB  | 93 dB | 85 dB |
| 10 W (12,6 V)  | 102 dB | 96 dB | 88 dB |
| 20 W (15,5 V)  | 104 dB | 98 dB | 90 dB |

| Summary               | 125 Hz | 250 Hz | 500 Hz | 1kHz | 2kHz | 4kHz | 8kHz |
|-----------------------|--------|--------|--------|------|------|------|------|
| SPL (2.83 V/1 m) (dB) | 89     | 89     | 88     | 89   | 88   | 87   | 91   |
| Opening Angle at -6dB | 180°   | 180°   | 180°   | 180° | 110° | 180° | 100° |